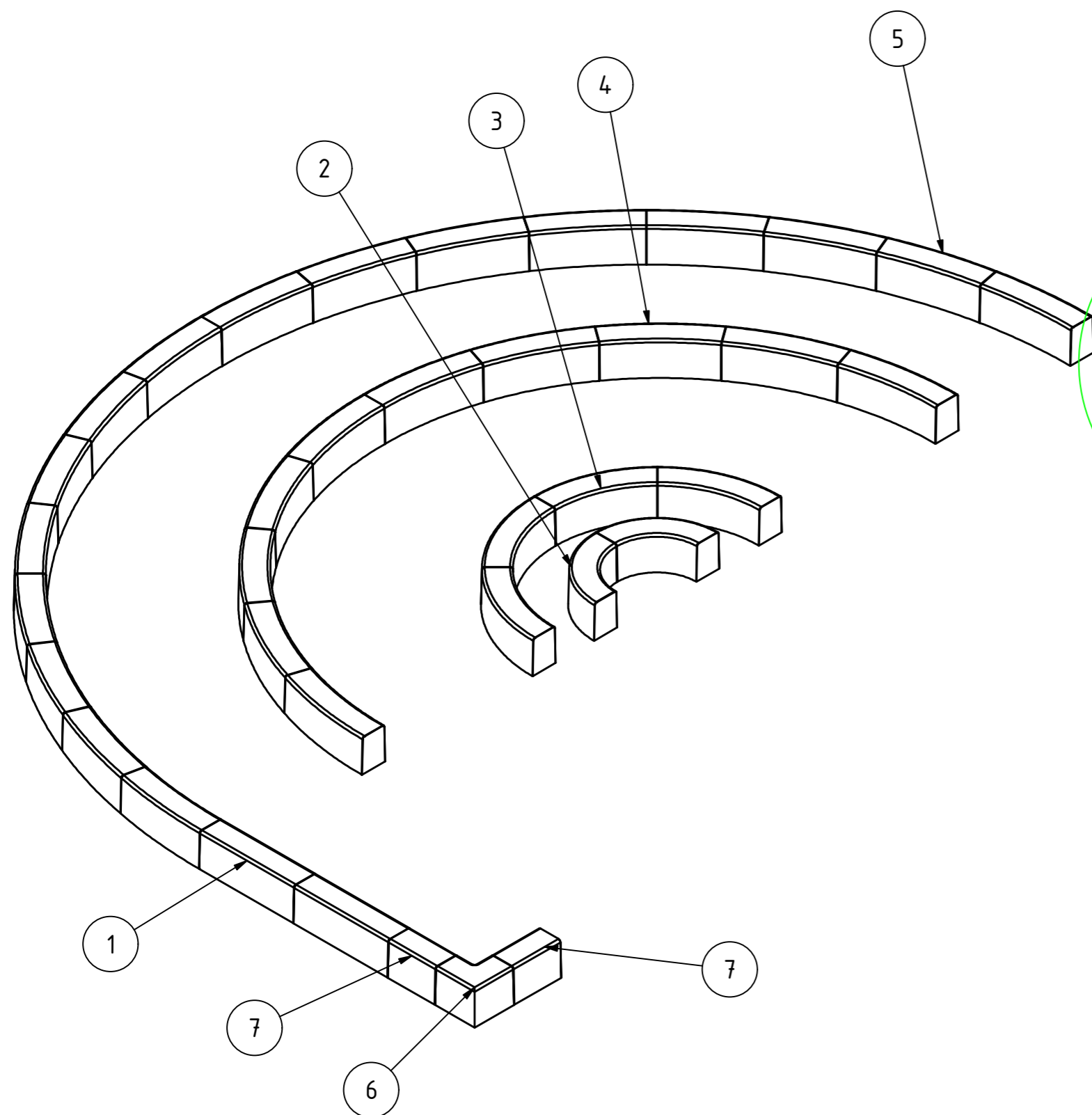
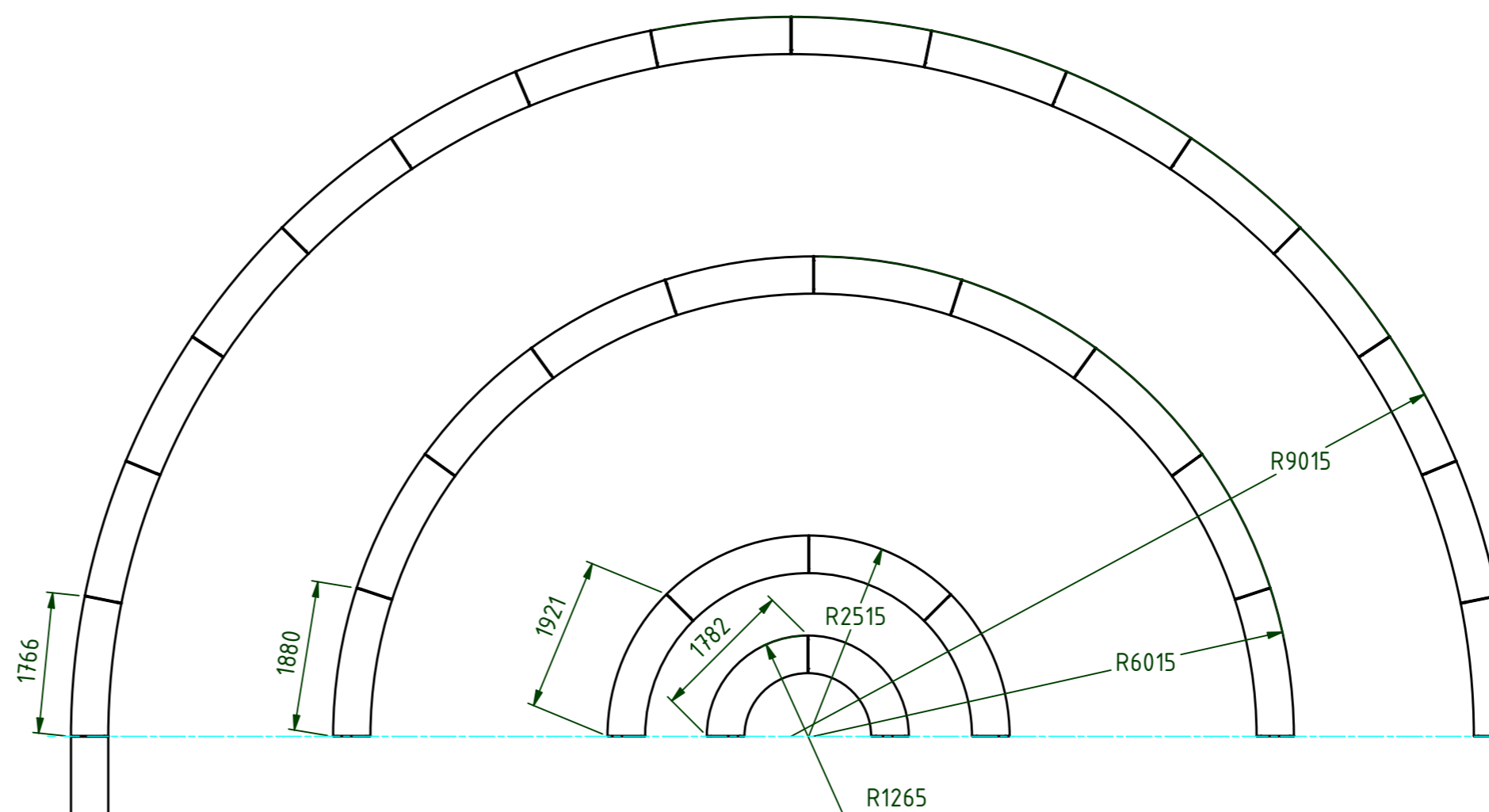
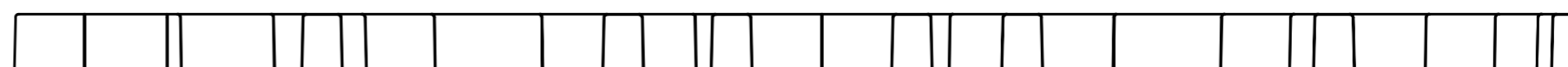
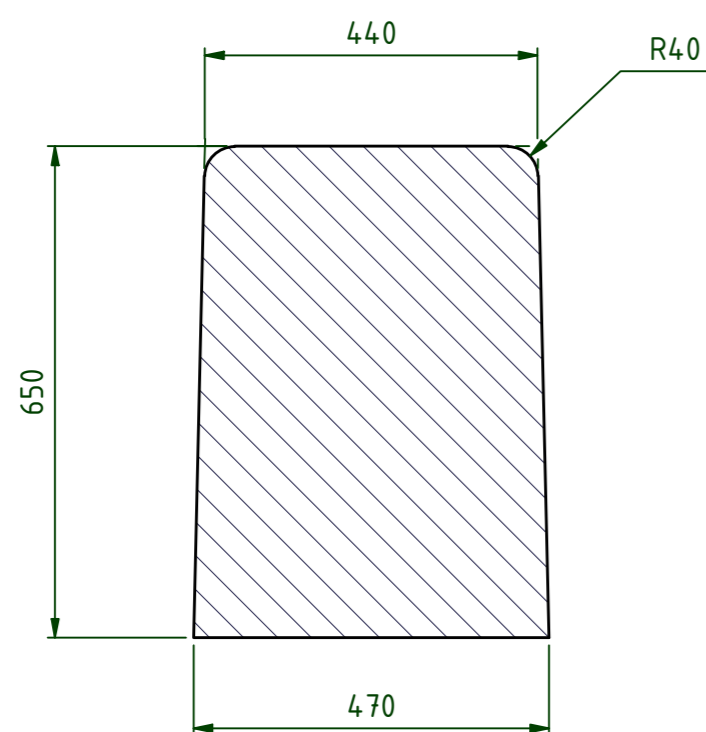
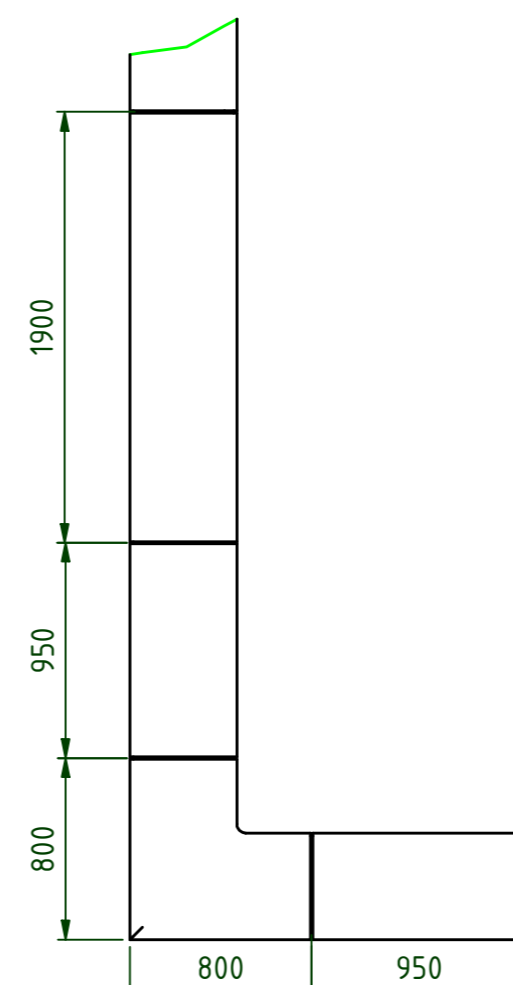
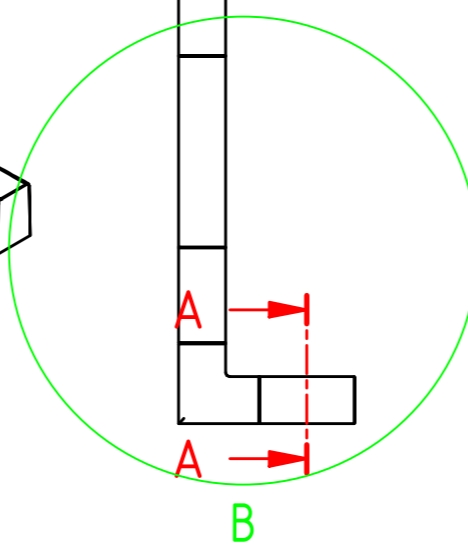


A-A (0,1)



B (0,03 : 1)



| Pos.nr | Ant. | Benämning/Dimension | Material | Art/Rit.nr | Anm. |
|--------|------|---------------------|----------|------------|-------------|
| 7 | 2 | Rak element 950 | | | 002-Newline |
| 6 | 1 | Hörnelement 90g | | | 007-Newline |
| 5 | 16 | Radie element 9000 | | | 006-Newline |
| 4 | 10 | Radie element 6000 | | | 005-Newline |
| 3 | 4 | Radie element 2500 | | | 004-Newline |
| 2 | 2 | Radie element 1250 | | | 003-Newline |
| 1 | 2 | Rak element 1900 | | | 001-Newline |

| Pos.nr | Ant. | Benämning/Dimension | Material | Art/Rit.nr | Anm. | |
|--|------|---------------------|----------|------------|----------|-------------|
| DAR ANNAT EJ ANGES GÄLLER: TOL. ENL. KPAB IP 03 YTFIN. ENL. KPAB IP 01. VYPLACERING ENLIGT EUROPEISK STANDARD. | | Konstr. | Ritad | Format | Skala | Vikt |
| | | | skprjo | A2 | 1 : 75 | 44730,59 kg |
| Bender Newline cpt | | | | | Ersätter | Dat. |
| | | | | | Ritn.-nr | 2019-12-20 |
| | | | | | | 010-Newline |

